

## DuoTurn S

Mixer for concealed installation for 2 functions

Finish: **Chrome** Article Number: **75418000**



### Description

#### product features

- 2 functions
- volume control and diverter for 2 functions
- maximum flow rate at 3 bar: 29,5 l/min
- flow rate upper outlet: 29,5 l/min
- flow rate lower outlet: 29,5 l/min
- ceramic cartridge for temperature control, shut-off/ diverter valve
- flat escutcheon for more space in the shower
- easy installation due to pre-assembled function block
- handles always at the same height regardless of the installation depth of the basic set
- escutcheon can be aligned by +/- 3°
- material escutcheon: plastic
- material handles: metal
- min. operating pressure: 1 bar
- max. operating pressure: 10 bar
- mixer is delivered with buttons Rain small, Rain large, hand sower, Waterfall, bath tub
- connection type: basic set iBox universal 2 (# 01500180)

### Technology



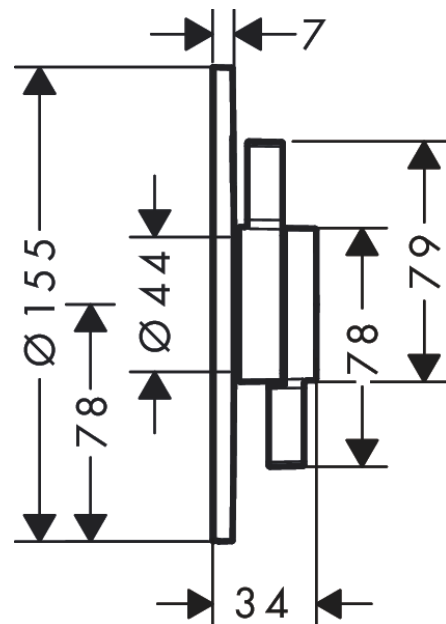
### Design awards



### Product image



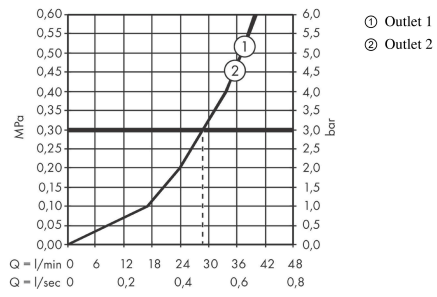
### Scale drawing



**DuoTurn S**  
**Mixer for concealed installation for 2 functions**  
 Finish: **Chrome** Article Number: **75418000**



**Flowchart**

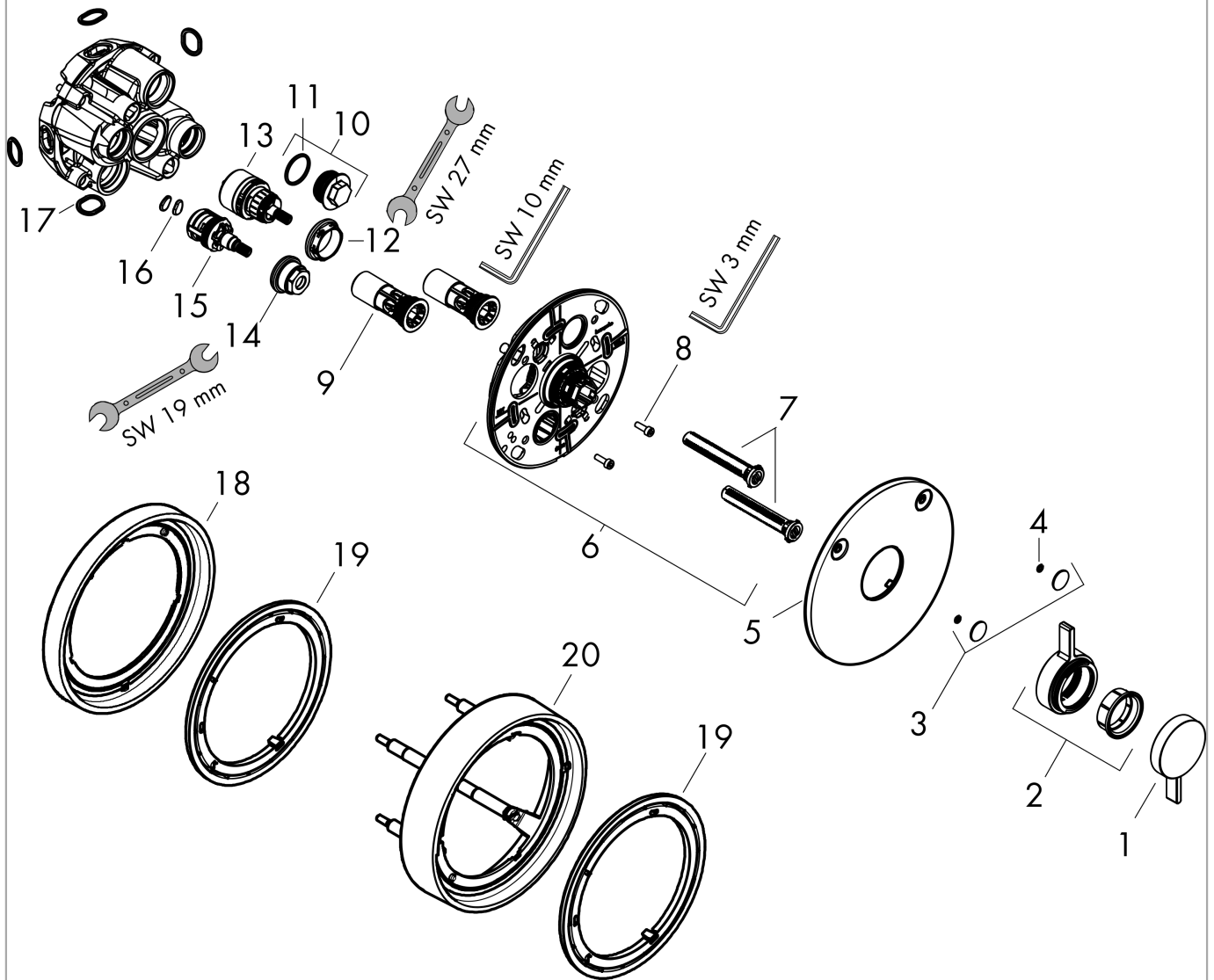


**DuoTurn S**  
**Mixer for concealed installation for 2 functions**  
 Finish: **Chrome** Article Number: **75418000**



**Exploded Drawing**

Year of production: >09/23



**DuoTurn S**  
**Mixer for concealed installation for 2 functions**  
 Finish: **Chrome** Article Number: **75418000**



### Spare part list

Year of production: >09/23

Pos.	Description	Article Number	PC	PU
1	handle	94913000	9	1
2	handle for shut off unit	94914000	8	1
3	set of symbols	94924000	9	1
4	O-ring 3,1x1,6	94927000	2	1
5	-	94917000	10	1
6	sub plate	94918000	0	1
7	compensation set	94930000	0	1
8	hexagon socket screw M4x12	94929000	2	1
9	service unit	94928000	0	1
10	-	94919000	0	1
11	O-Ring 22x2	98185000	1	1
12	nut	98913000	6	1
13	cartridge, assy	98303000	12	1
14	nut	92853000	3	1
15	shut off unit with selector	94716000	0	1
16	filter	94920000	0	1
17	O-ring 16x2,5	98134000	1	1
18	extension 5 mm	13614000	99	1
19	-	13631000	99	1
20	extension 22 mm	13624000	99	1
a	concealed item	01500180	99	1
b	extension 25 - 75 mm	13632000	99	1
c	extension 25 mm	13638000	99	1
d	Security combination according to EN 1717	13077000	99	1